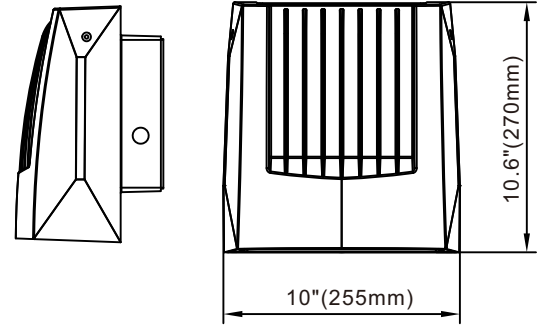


IMPORTANT SAFEGUARDS

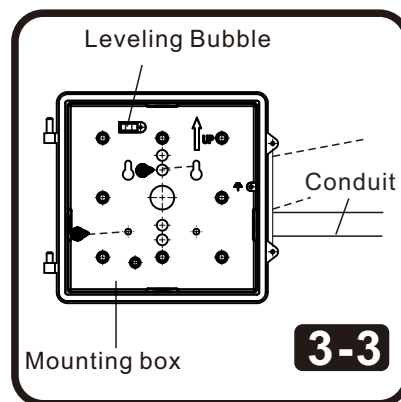
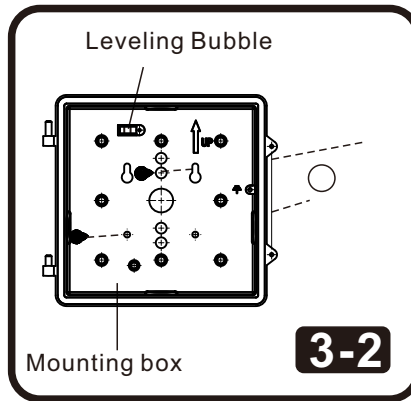
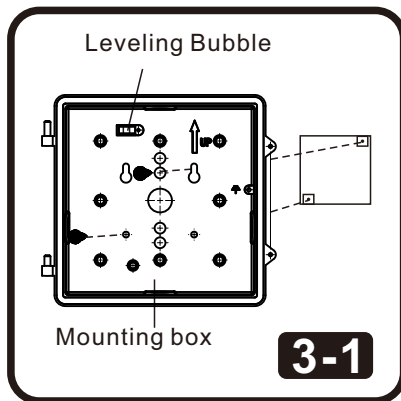
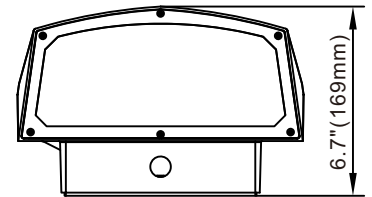
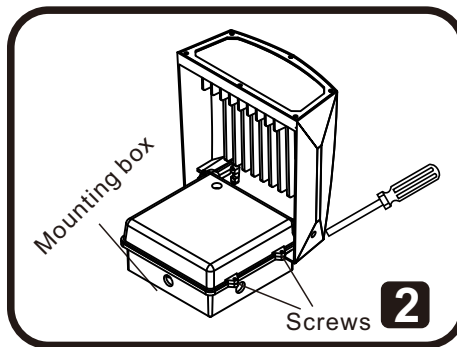
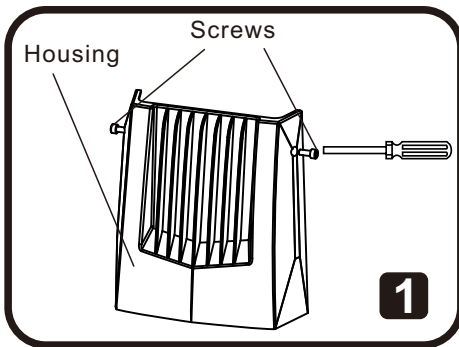
When using electrical equipment, basic safety precautions should always be followed including the following:

READ AND FOLLOW ALL SAFETY INSTRUCTIONS

1. To reduce the risk of electrical shock, turn off power supply before installation or servicing.
2. This luminaire must be installed in accordance with the NEC or your local electrical code. If you are not familiar with these codes and requirements, consult a qualified electrician.
3. If NEMA photo control is installed refer to NEMA Receptacle section for instructions.
4. Verify the availability of necessary tools and incidental material.



TO INSTALL



LUMINAIRE INSTALLATION

STEP 1(Fig 1):

Loosen the side Screws and turn up the Housing.

STEP 2(Fig 2):

Remove the two screws and remove the Mounting box.

STEP 3-1(MOUNTING TO J-BOX) (Fig3-1):

1:Feed supply wires through Junction Box, Gasket and Mounting Box.

2:Using the Leveling Bubble in the Wall Mounting Box, level the Fixture.Check the Gasket is fully sealed and fully tighten fasteners.

STEP 3-2(MOUNTING TO WALL) (Fig3-2):

1:Feed supply wires thru the center of the Mounting box.

2:Using the Leveling Bubble in the Wall Mounting Box, level the Fixture. Secure Wall Mounting Box to a sturdy wall. Use appropriate mounting hardware such as lag bolts and anchors with washers suitable for the mounting surface and fully tighten fasteners.

STEP 3-3(Conduit-surface)(Fig 3-3):

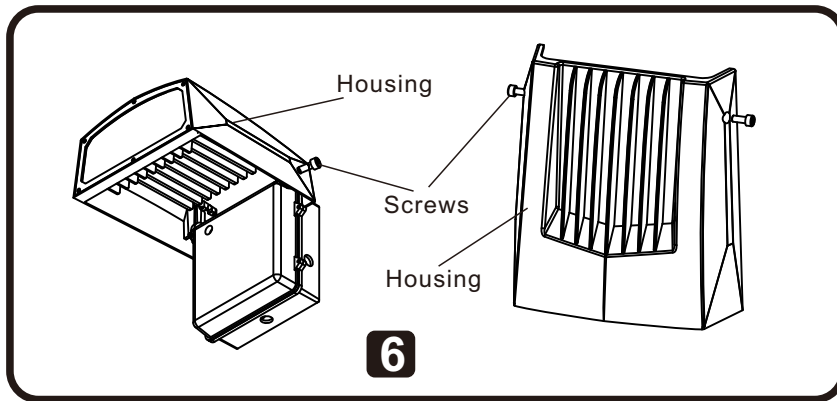
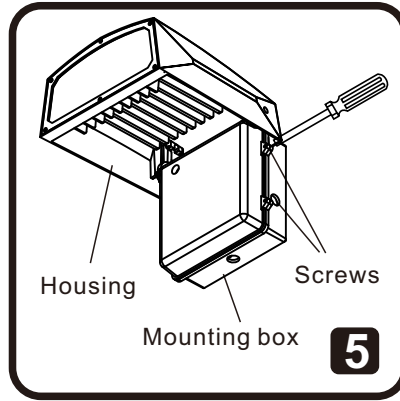
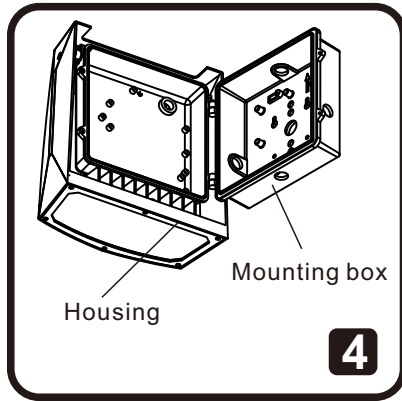
1:Using the Leveling Bubble in the Wall Mounting Box, level the Fixture. Secure Wall Mounting Box to a sturdy wall. Use appropriate mounting hardware such as lag bolts and anchors with washers suitable for the mounting surface and fully tighten fasteners.

2.Attach ½" NPT conduit fittings using the appropriate EMT rain tight compression connections(not provided) onto the factory machined conduit entry opening.

3:Feed supply wires thru the conduit into the Mounting box.

TO INSTALL:

LUMINAIRE INSTALLATION

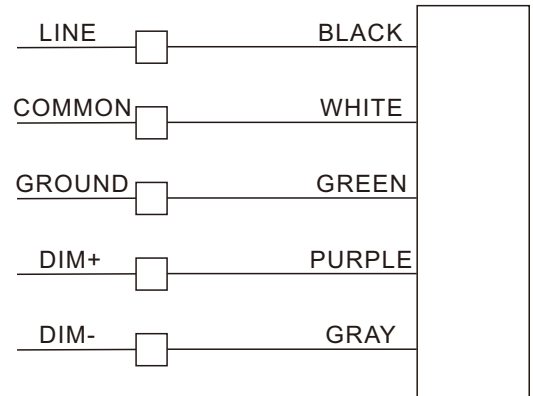


STEP 4(Fig 4):

Fixture slightly upward, align fixture housing indicators with the mounting box and slip fixture back onto hooks and insert the connector.

STEP 5:

Make supply wire (power and dimming) to fixture wire connections as required thru splice access. Universal voltage driver permits operation at 120V thru 277V ,50 or 60 Hz. 0-10V control wires must be rated for 300V minimum. For 0-10V Dimming, follow the wiring directions as shown in figure below.



STEP 6(Fig 5):

Close the housing indicators to the rear cover and turn up the Housing. Fully tighten fasteners to the mounting box.

STEP 7(Fig 6):

Adjustment angle of the Housing and fully tighten fasteners.

Troubleshooting: If this fixture fails to operate properly, check to make sure: The fixture is wired correctly. The fixture is grounded correctly. The line voltage at the fixture is correct. If all these variables have been checked and the fixture still does not operate as specified, contact your local distributor.